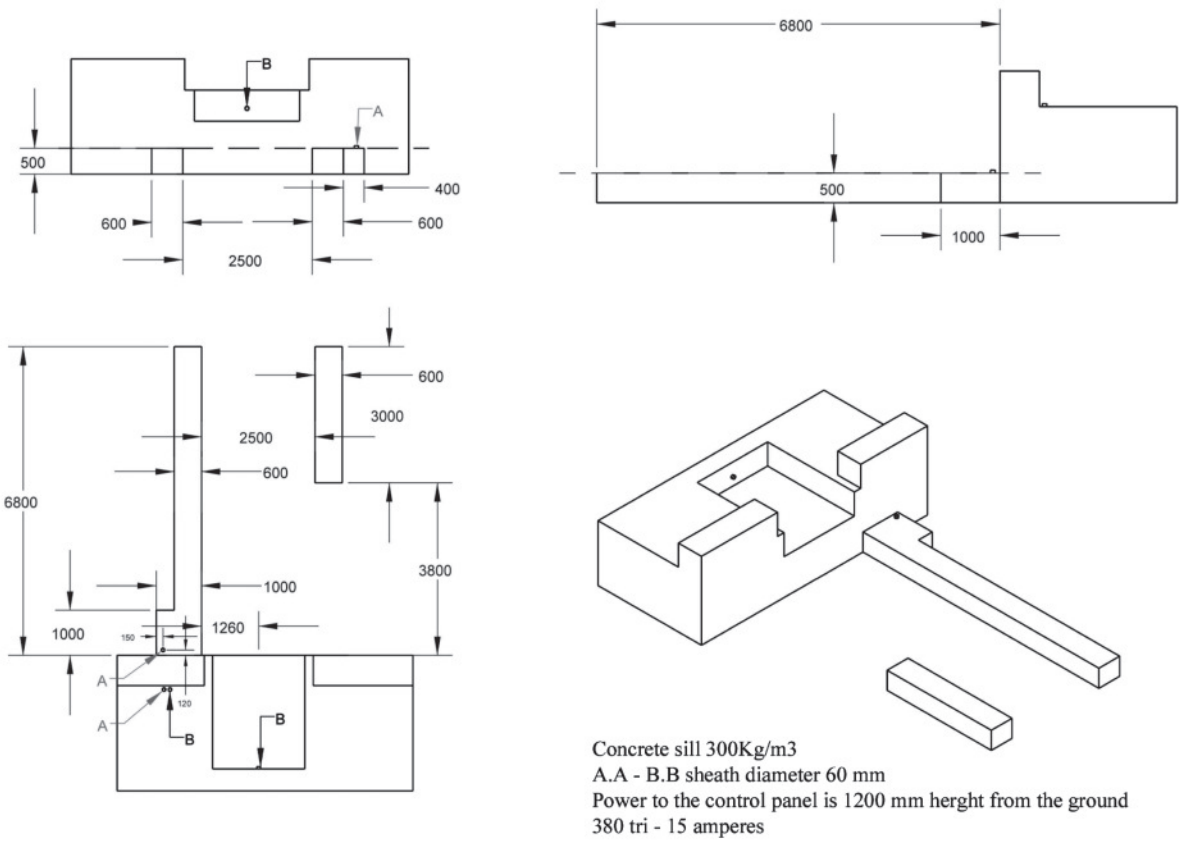


Below the 389 mm score is the position with a reservation of dock 2030 to position the machine
other reservation to the 1404 mm rating

RESERVATION FOR CONCRETE ARRIMATIC



RESERVATION FOR CONCRETE ARRIMATIC

